

Optional Accessories for IP67 coolant proof models

For details, refer to page A-21.

- Connecting cables
 - **05CZA624**: SPC cable with data button (1 m)
 - **05CZA625**: SPC cable with data button (2 m)
 Note: Optional connecting cable is available only for water-proof type.
- USB Input Tool Direct
 - **06AFM380A**: SPC cable for **USB-ITN-A** (2 m)

Optional Accessories for other than IP67 coolant proof models

For details, refer to page A-21.

- **959143**: Data hold unit
- Connecting cables for **IT/DP/MUX**
 - **959149**: SPC cable with data button (1 m)
 - **959150**: SPC cable with data button (2 m)
- USB Input Tool Direct
 - **06AFM380C**: SPC cable for **USB-ITN-C** (2 m)
- Connecting cables for **U-WAVE-T**
 - **02AZD790A**: SPC cable with data button (160 mm)
 - **02AZE140A**: SPC cable for foot switch

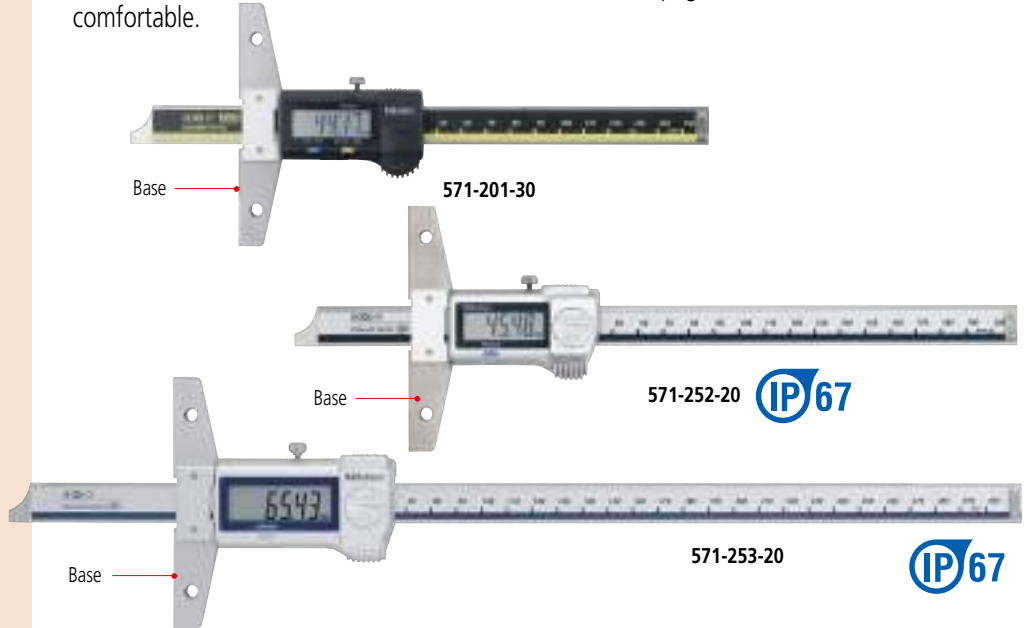
Wireless Data Output

U-WAVE^{fit}

- **U-WAVE-TC**: **264-620** (IP67 type)
264-621 (Buzzer type)
- **U-WAVE-TCB Transmitter (Mitutoyo Bluetooth[®] U-WAVE)**
264-624 (IP67 type)
264-625 (Buzzer type)
Refer to page A-10 for details.
- Connecting unit for **U-WAVE-TC/TCB**
02AZF310 (IP67 type)
Note: IP67 model is water/dust-proofed suitable for the factory floor.
Buzzer type is not water/dust-proofed.
Refer to pages A-10 and A-12 for details.

ABSOLUTE Digimatic Depth Gauge SERIES 571

- Coolant proof models*² achieve IP67 protection level.
- Enables stable depth measurement with a resolution of 0.01 mm.
- ABSOLUTE Digital Caliper (Refer to page D-6 for ABSOLUTE function).
- Sliding operation of models with the measuring ranges 150 mm (6 in), 200 mm (8 in) and 300 mm (12 in) is smooth and comfortable.
- Allows integration into statistical process control and measurement systems for models with measurement data output connector. (Refer to page A-3.)
- Battery: SR44 (1 pc.), **938882**. For initial operational checks (standard accessory).
- Optional longer extension bases are available. (Refer to page D-68.)



SPECIFICATIONS

Metric					
Order No.	Range (mm)	Resolution (mm)	Battery life	Base (W×T) (mm)	Maximum permissible error E_{MPE} (mm)* ¹
571-201-30	0 - 150	0.01	5 years	100×6	±0.02
571-202-30	0 - 200			100×6.3	±0.03
571-203-30	0 - 300			100×6	±0.02
571-251-20 ^{*2}	0 - 150	0.01	3 years	100×6	±0.02
571-252-20 ^{*2}	0 - 200			100×6.3	±0.03
571-253-20 ^{*2}	0 - 300			250×10	±0.05
571-204-10 ^{*3}	0 - 450	0.01	3 years	250×10	±0.06
571-205-10 ^{*3}	0 - 600				±0.07
571-206-10 ^{*3}	0 - 750				
571-207-10 ^{*3}	0 - 1000				

Inch / Metric					
Order No.	Range (in)	Battery life	Base (W×T) (in)	Maximum permissible error E_{MPE} (in)* ¹	
571-211-30	0 - 6	5 years	3.93×0.23	±0.001 in/±0.02 mm	
571-212-30	0 - 8		3.93×0.25	±0.001 in/±0.02 mm	
571-213-30	0 - 12		3.93×0.25	±0.0015 in/±0.03 mm	
571-261-20 ^{*2}	0 - 6	3 years	3.93×0.23	±0.001 in/±0.02 mm	
571-262-20 ^{*2}	0 - 8		3.93×0.23	±0.001 in/±0.02 mm	
571-263-20 ^{*2}	0 - 12		3.93×0.25	±0.0015 in/±0.03 mm	
571-214-10 ^{*3}	0 - 18	3 years	9.8×0.39	±0.002 in/±0.05 mm	
571-215-10 ^{*3}	0 - 24		9.8×0.39	±0.002 in/±0.05 mm	
571-216-10 ^{*3}	0 - 30		9.8×0.39	±0.0025 in/±0.06 mm	
571-217-10 ^{*3}	0 - 40		9.8×0.39	±0.0025 in/±0.07 mm	

*1 Maximum permissible error, E_{MPE} , is the term (notation) used in JIS B 7518: 2018, revised based on ISO/TR 14253-6: 2012.

*2 IP67 Coolant Proof model

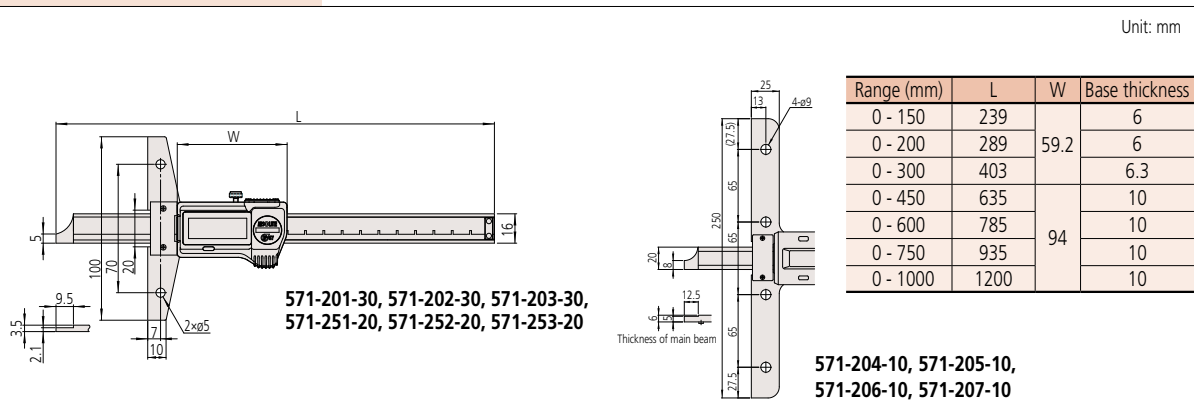
*3 Cannot be used with **U-WAVE-TC**

*1 Maximum permissible error, E_{MPE} , is the term (notation) used in JIS B 7518: 2018, revised based on ISO/TR 14253-6: 2012.

*2 IP67 Coolant Proof model

*3 Cannot be used with **U-WAVE-TC**

DIMENSIONS



**571-201-30, 571-202-30, 571-203-30,
571-251-20, 571-252-20, 571-253-20**

**571-204-10, 571-205-10,
571-206-10, 571-207-10**